

Summary

Connector.....	2
Wiring.....	4
Setup Mode.....	6
Troubleshooting.....	7
Advance curves.....	10

Connector

XT125-400



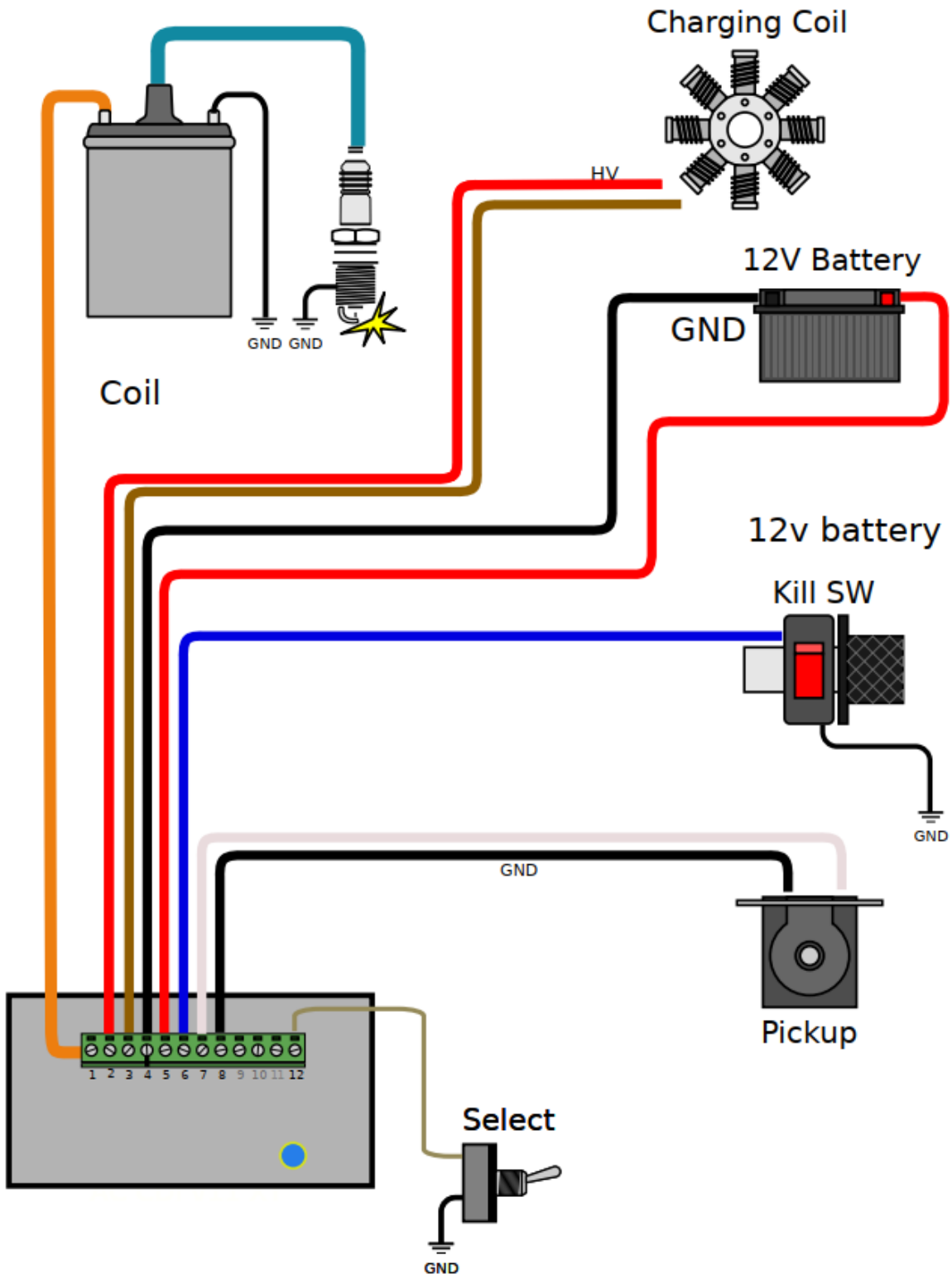
- | | | |
|-----------|--------|--|
| 1 | output | To ignition coil |
| 2 | input | High Voltage from Charging Coil (Red wire) |
| 3 | input | High Voltage from Charging Coil (Braun wire) |
| 4 | input | Ground frame (=minus from battery) |
| 5 | input | +12Vdc from battery |
| 6 | input | Kill switch |
| 7 | input | Pickup (White wire) |
| 8 | input | Pickup Ground (Black wire) |
| 9 | | <i>not connected</i> |
| 10 | | <i>not connected</i> |
| 11 | | <i>not connected</i> |
| 12 | input | SELECT switch for Setup |



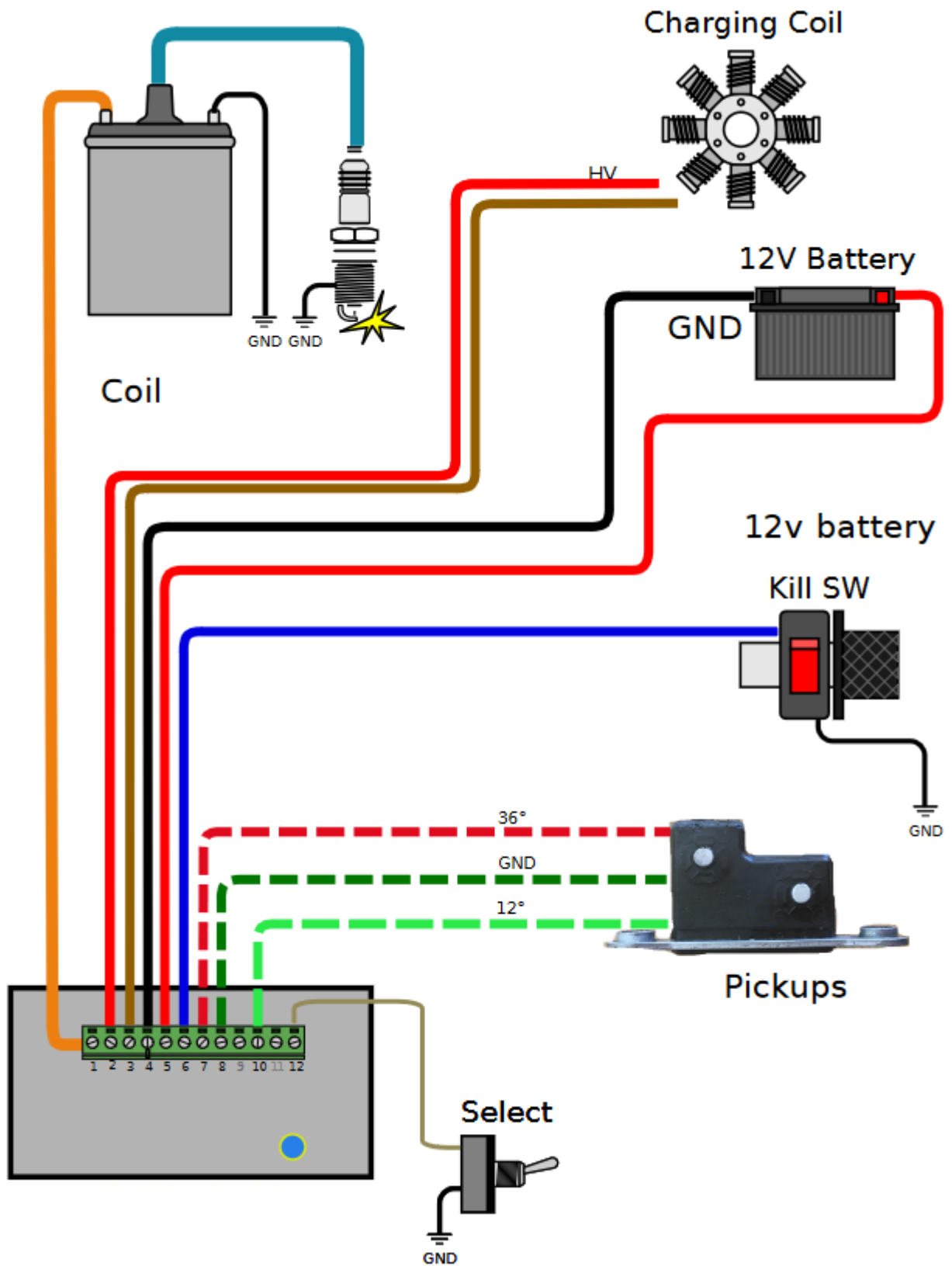
- | | | |
|-----------|--------|--|
| 1 | output | To ignition coil |
| 2 | input | High Voltage from Charging Coil (Red wire) |
| 3 | input | High Voltage from Charging Coil (Braun wire) |
| 4 | input | Ground frame (=minus from battery) |
| 5 | input | +12Vdc from battery |
| 6 | input | Kill switch |
| 7 | input | Pickup 36° for High Speed (Red/White wire) |
| 8 | input | Pickup Ground - Center Tap (Green wire) |
| 9 | | <i>not connected</i> |
| 10 | input | Pickup 12° for Low Speed (Green/White wire) |
| 11 | | <i>not connected</i> |
| 12 | input | SELECT switch for Setup |

Wiring

XT125-400:

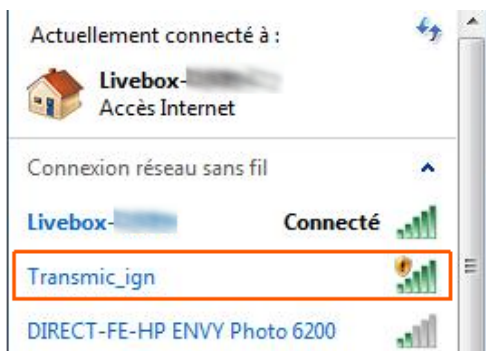


XT550-600:

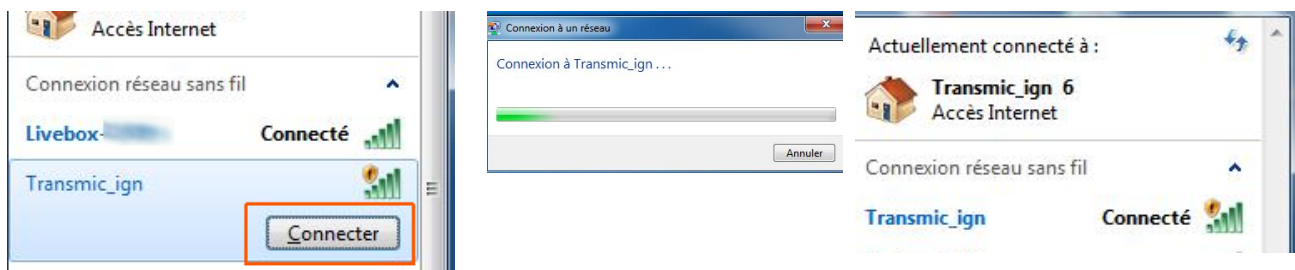


Setup Mode

- 1) Turn the **SELECT Switch ON** (*connector pin 12 connected to ground*) **PRIOR** to power on the ignition box.
- 2) **Power on** the ignition box with a 6 to 12v battery.
When the ignition box detects that the Select switch is already grounded, it turns into SETUP Mode.
- 3) The ignition box starts a **WiFi AP (Access Point)**
- 4) On your phone, laptop, PC, whatever, go to the **Wifi setting** and search for a new SSID called **Transmic_ign**



- 6) **Connect** to it. (If a password is asked, use "*password*")



- 8) Once your device is connected to the AP, open up a **browser** and head over to <http://192.168.4.1/> (http not https !)

- 9) Once connected your browser should display:

TRANSMIC.FR

<MODEL> <VERSION>

You are now connected
to your ignition box.

Options: 5
Serial: 2301 ©

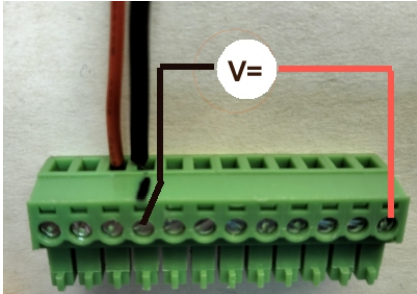
Configuration

- 10) Turn the **SELECT Switch OFF** for Running mode.

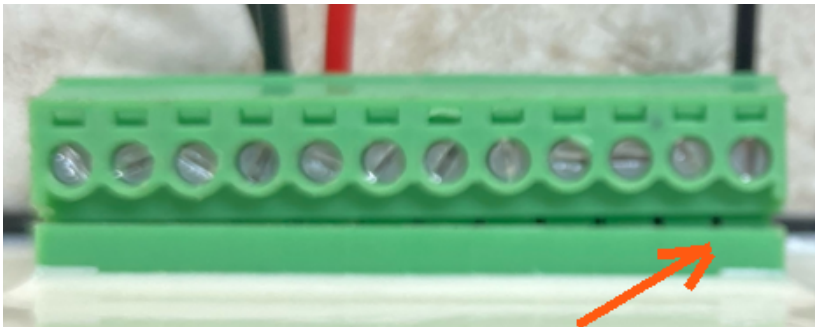
Troubleshooting

No WiFi Access Point appears:

- While the ignition is powered by +12v battery, measure the voltage between ground (screw N°4) and Select (screw N°12): It should be around +3Vdc



- if not, then check that the 12pins connector is FULLY inserted and there is nothing preventing the male connector from fully engaging.



- You can see available SSID with a WiFi Analyzer as [NetSpot for Android](#) or [Wifi-Analyzer for W10](#)

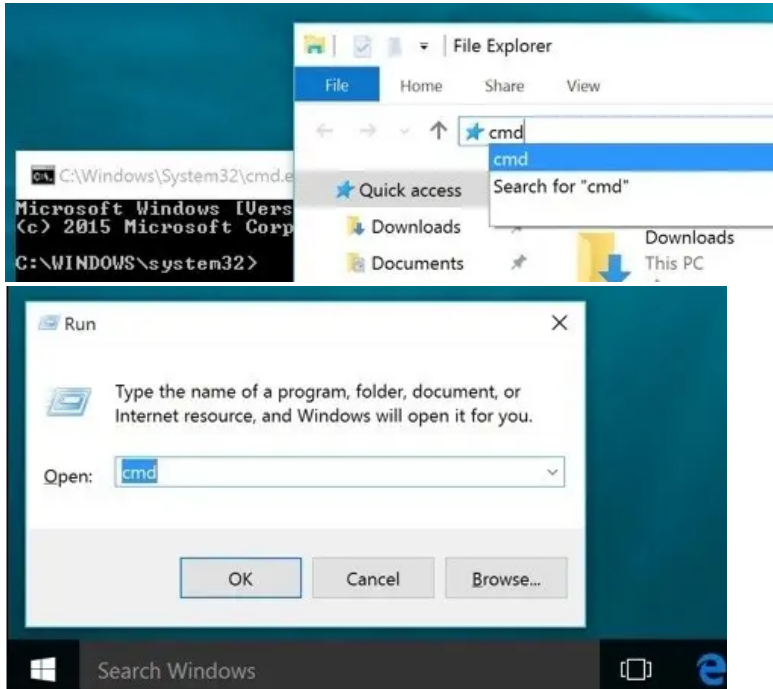
- Reboot the ignition box. (Power off/power up)

WiFi Access Point appears:

- Connect to the WiFi AP and test the network connection from your laptop to the ignition box:

Open a command Prompt:

Type "*cmd*" into the address bar of File Explorer and hit Enter or Press Windows+R to open "Run" box. Type "*cmd*" and then click "OK"



ping the ignition box, it should replies:

C:\>ping 192.168.4.1

Pinging 192.168.4.1 with 32 bytes of data :

Reply from 192.168.1.1 : bytes=32 time<1ms TTL=64

Reply from 192.168.1.1 : bytes=32 time<1ms TTL=64

Reply from 192.168.1.1 : bytes=32 time<1ms TTL=64

Clear DNS cache

Windows:	in MsDos console:	C:\>ipconfig /flushdns
MacOS:	in Terminal :	sudo dscacheutil -flushcache
Linux:	in Terminal:	sudo systemd-resolve --flush-caches

Troubleshooting display

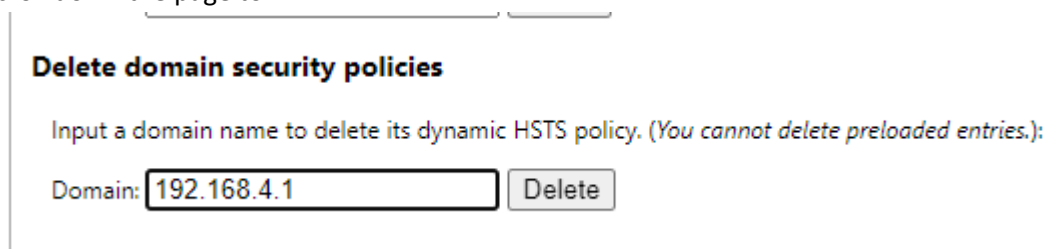
- Ignore any browser message saying it's not connected to internet:



Indeed, it's connected ONLY to the Ignition box, not to the web.
(It's impossible to reach Google and the ignition box at the same time)

Console URL is **http://** NOT **https://** but some browsers like Chrome automatically switch to secure **https://**

- Use Firefox. Close all Firefox windows than relaunch it.
- or in Chrome, disable **HSTS** (*HTTP Strict Transport Security*) that forces to open websites in HTTPS:
 - Write **chrome://net-internals/#hsts** in the address bar.
 - Scroll down the page to :



- add **192.168.4.1** and hit **Delete** to disable *Force https* for this particular website.

Advance curves

